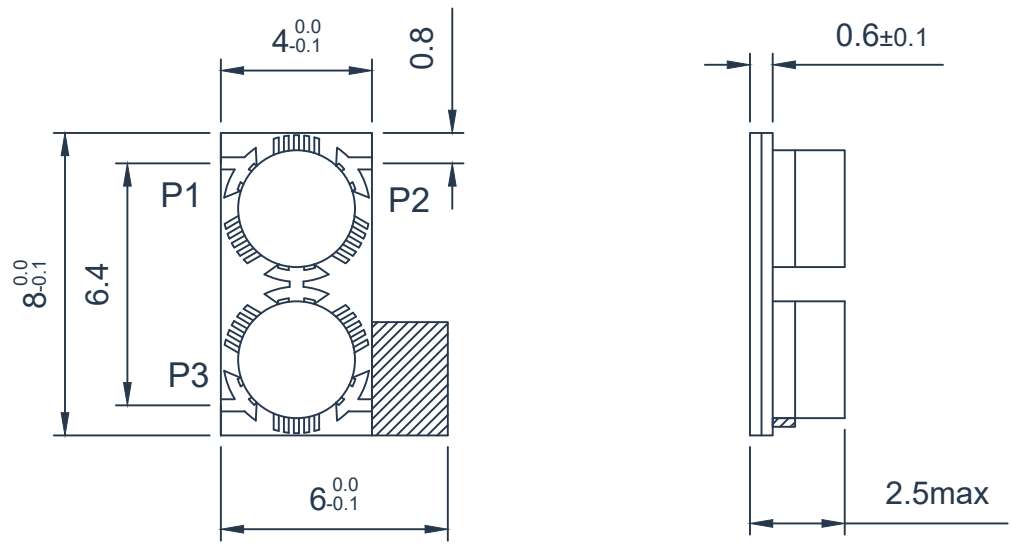


1	2	3	4	5	6
Document No.	REV	DWG BY	CHK'D BY	APPV'D BY	Date
HD220723-1	0	Keith W			07.23.2022



Unless otherwise specified, the surface flatness is $\nabla_{3.2}$

SPECIFICATIONS	
Part's Number	HMDHB90T100G-MR
Frequency(GHz)	9.0-10.0
Direction	P2-P1/P1-P3
Insertion Loss(dB)MAX	0.5(P1-P2)
	1.0(P2-P3)
Isolation(dB)MIN	20.0(P2-P1)
	30.0(P3-P2)
VSWR MAX	1.25
PK/CW (Watt)	10/5
Operating Temperature(°C)	-55~+85
Reverse Power(Watt)	10
Conector	Gold wire bonding/Lap welding
Base plate plating	Gold Plating/Plate with silver
Description: Microstrip Dual-Junction Circulator	
Hzbeat Electronic Technology Co. Ltd	Unit:mm
	5:1 A4