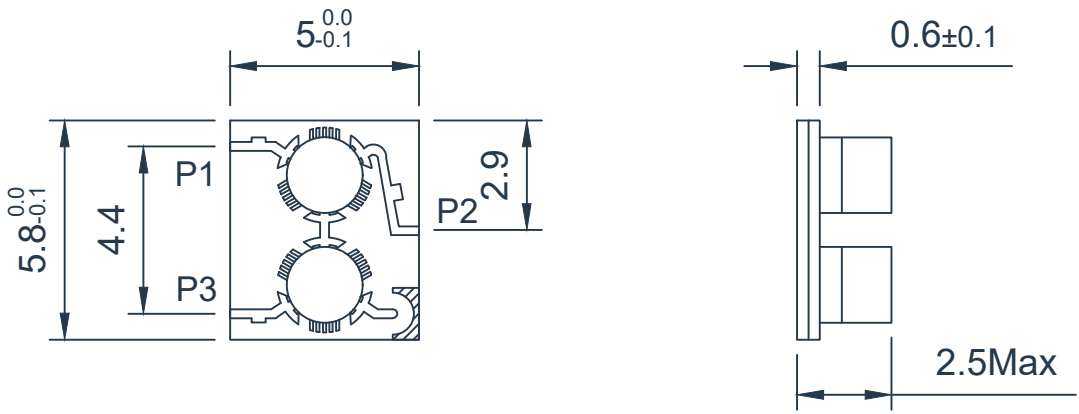


1	2	3	4
Document No.	REV	DWG BY	CHK'D BY
HD220723-1	0	Keith W	
		APPV'D BY	Date
			07.23.2022



SPECIFICATIONS

Part's Number	HMDHA150T170G-M
Frequency(GHz)	15.0-17.0
Direction	P1-P2/P2-P3
Insertion Loss(dB)MAX	0.4(P1-P2)
	0.8(P2-P3)
Isolation(dB)MIN	20.0(P2-P1)
	30.0(P3-P2)
VSWR MAX	1.25
PK/CW (Watt)	20/10
Operating Temperature(°C)	-55~+85
Reverse Power(Watt)	2
Conector	Gold wire bonding/Lap welding
Base plate plating	Gold Plating/Plate with silver

Description: Microstrip Dual-Junction Circulator

Unless otherwise specified, the surface flatness is $\nabla_{3.2}$

Hzbeat Electronic Technology Co. Ltd		5:1
	Unit:mm	A4