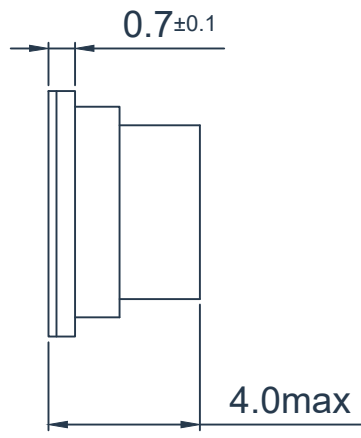
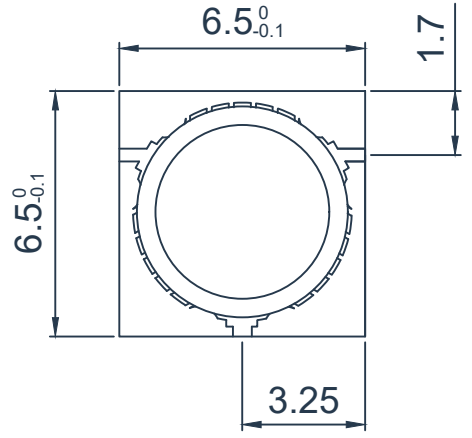


1	2	3	4
Document No.	REV	DWG BY	CHK'D BY
HD220527-5	0	Keith W	
		APPV'D BY	Date



SPECIFICATIONS

Part's Number	HMCTB50T60G-M
Frequency(GHz)	5.0-6.0
Direction	Counter Clockwise
Insertion Loss(dB)MAX	0.9
Isolation(dB)MIN	13
VSWR MAX	1.5
Phase equalization(±°)	-
PK/CW (Watt)	20/10
Operating Temperature(°C)	-55~+85
Reverse Power(Watt)	-
Conector	Gold wire bonding/Lap welding
Surface treatment	Gold Plating/Plate with silver
Additional Notes	

Description:Microstrip Circulator

Hzbeat Electronic Technology Co. Ltd		5:1
	Unit:mm	A4