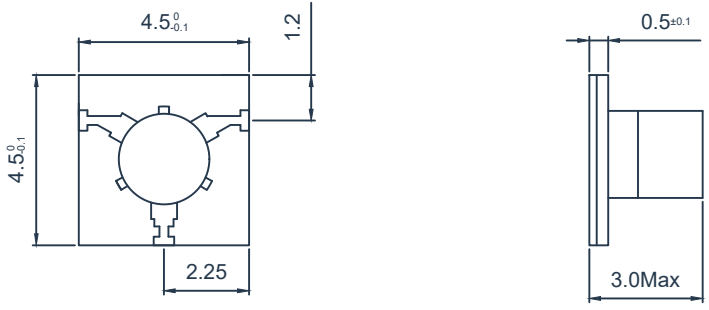


1	2	3	4
Document No.	REV	CHK'D BY	APPV'D BY
HD220528-8	0	Keith W	

HzBeat



SPECIFICATIONS

Part's Number	HMCTB180T240G
Frequency(GHz)	18.0-24.0
Direction	Counter Clockwise
Insertion Loss(dB)MAX	0.6
Isolation(dB)MIN	18
VSWR MAX	1.3
Phase equalization(±°)	-
PK/CW (Watt)	15/5
Operating Temperature(°C)	-55~+85
Reverse Power(Watt)	-
Conector	Gold wire bonding/Lap welding
Surface treatment	Gold Plating/Plate with silver
Additional Notes	

Description:Microstrip Circulator

	5:1
Unit:mm	A4