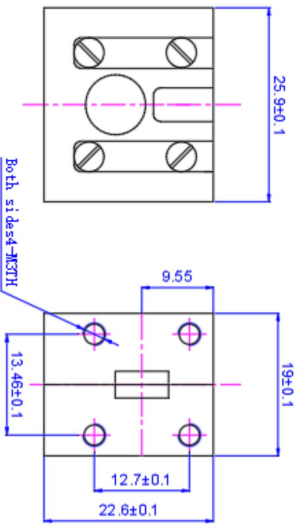
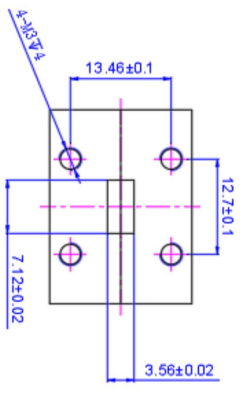


1	2	3	4
Document No.	REV	DWG BY	CHK'D BY
JX260224-3	0	Jason Zhou	
		APPV'D BY	Date



SPECIFICATIONS

Part's Number	HWCT265T400G
Frequency(GHz)	26.5-40.0
Direction	-
Insertion Loss(dB)MAX	0.4
Isolation(dB)MIN	18.0
VSWR MAX	1.35
Phase equalization(±°)	-
PK/CW (Watt)	-/150
Operating Temperature(°C)	-55~+85
Reverse Power(Watt)	-
Conector	WR-28
Base plate plating	Aluminum Oxidation treatment
BW/Max	FULL

Description: Waveguide Circulator

Hzbeat Electronic Technology Co. Ltd

Unit:mm	1:1
	A4